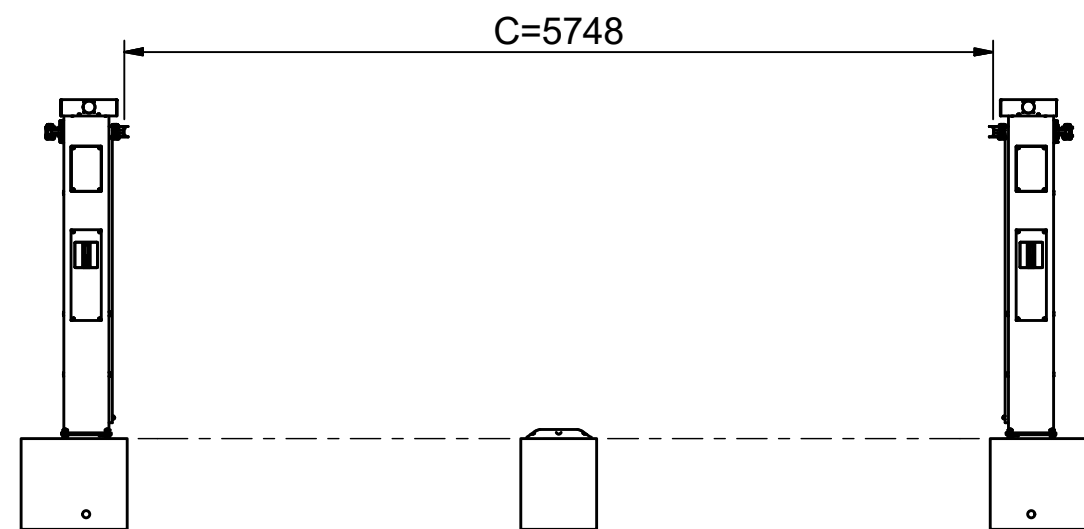
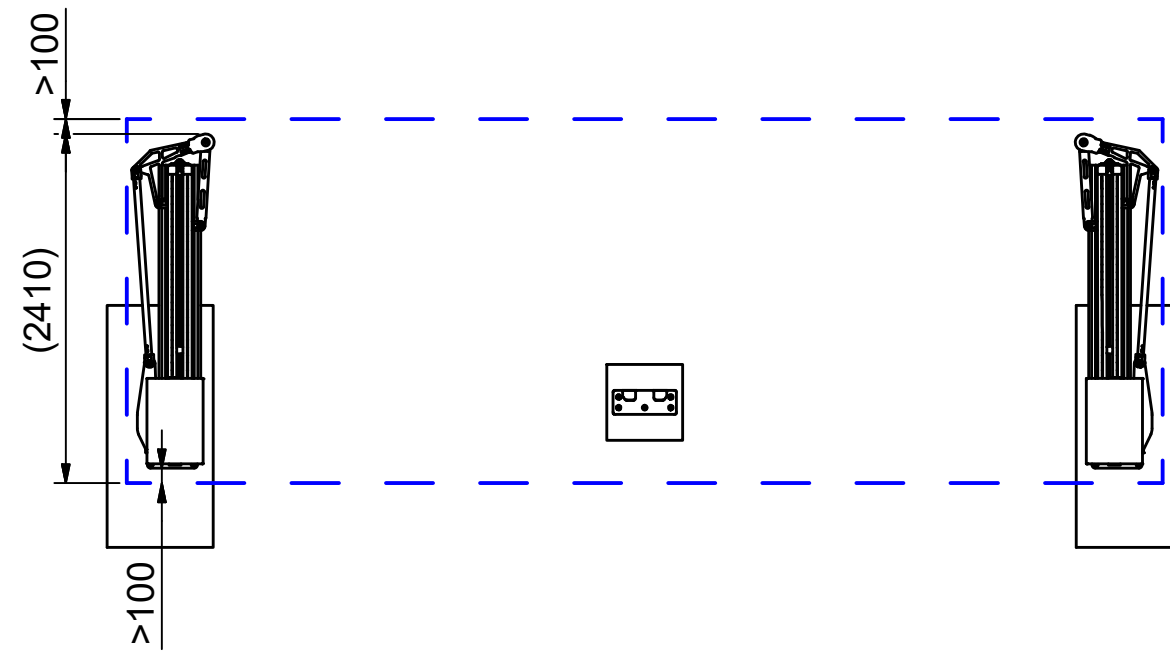
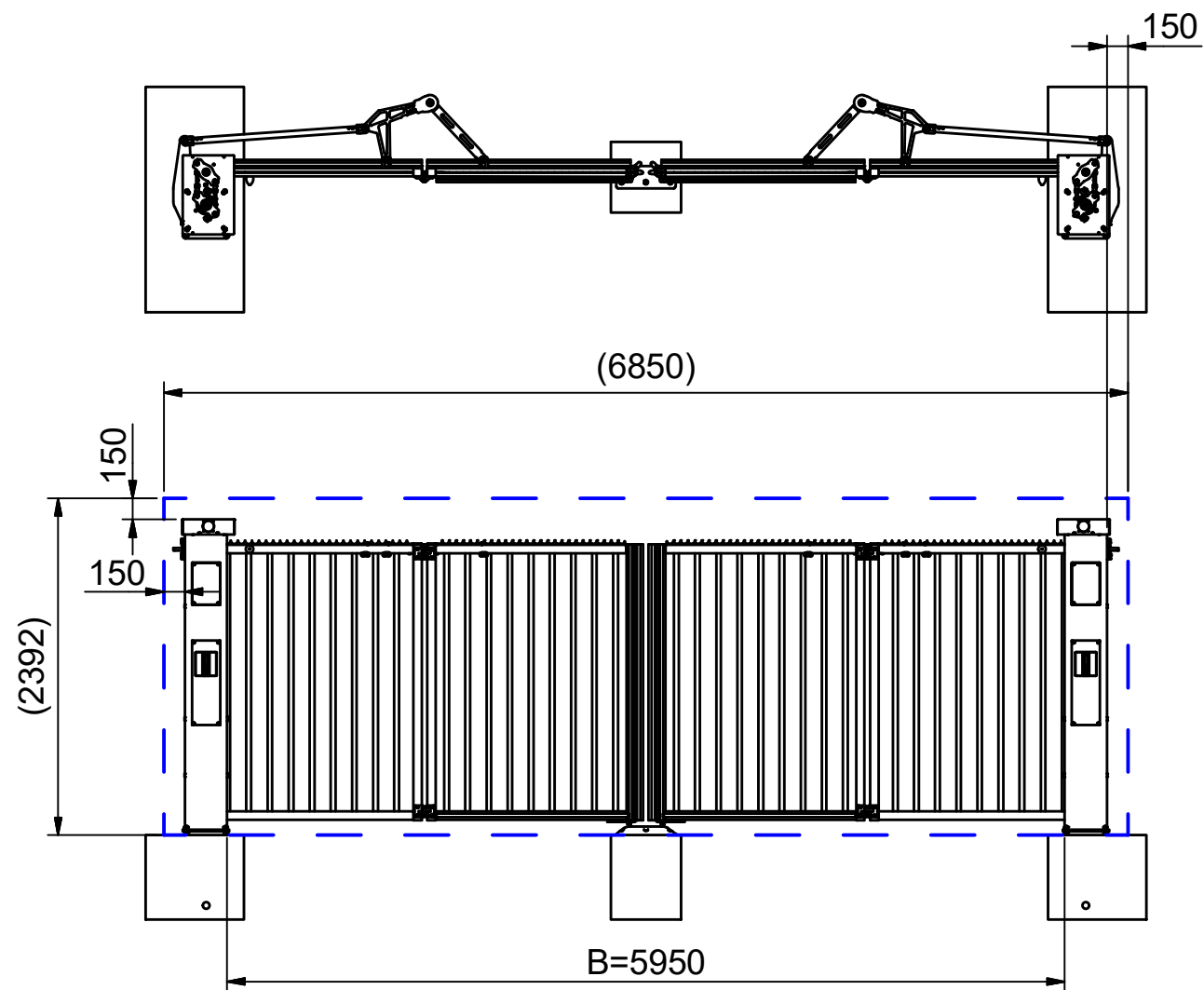


BINNENZIJDE/INSIDE/
INNEN/INTÉRIEUR




sGate according to EN 13241-1

Finish: column XL + leaves - EN ISO 1461 hot dip galvanized;
epoxy primer + powdercoating RAL... according NEN 5254
foundation and anchoring separate to be approved

approval date:

name:

signature:

0				
REV.:	REVISION DESCRIPTION:	NAME:	DATE:	CHK. BY:
DRAWN BY:	DESCRIPTION: s-gt trackless heracles/athos 60x200			
DATE:	9-4-2020			
REF. NO:	sGateGKXL			
	PROJECT:	DRAWING NO:	REV NO: 0	SHEET: 1 v 1