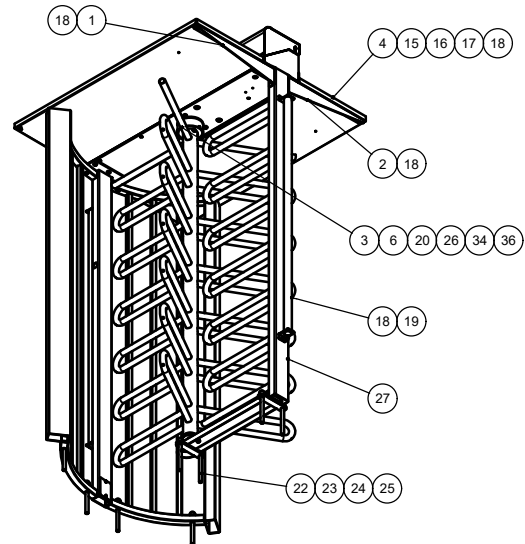
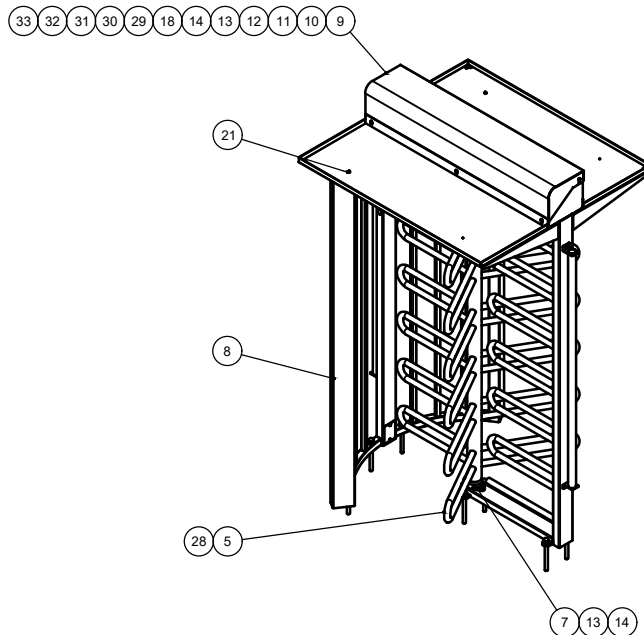


| Item | Qty | Part No | Part Name | Part Code | Part Description |
|------|-----|----------------------|---|-----------|--|
| 1 | 1 | 2032462 | F.Scarpoglia | | TS canopy support to br |
| 2 | 1 | 2032463 | F.Scarpoglia | | TS canopy support to br |
| 3 | 4 | 2032460 | F.Brimtopcap | | TS Rotor column top stud M16 ss |
| 4 | 2 | 2032460 | F.Brimtopcap | | TS B700 canopy top st |
| 5 | 1 | 2032691 | F.Scarpoglia | | TS Rotor column bottom support ss |
| 6 | 4 | 2032495 | F.Brimtopcap | | TS top rotor 60x20 rubber |
| 7 | 1 | | F.Rubber | | TS rotor bottom bearing |
| 8 | 1 | 2032448 | F.Brimtopcap | | TS Guide panel 120 Deg br |
| 9 | 1 | 2032475 | F.Rubber | | TS Top channel cover ss br |
| 10 | 1 | 2032471 | F.Brimtopcap | | TS Top channel top st |
| 11 | 1 | 2032662 | F.Total Assembly B700 MK2 NL | | Total Assembly B700 MK2 NL |
| 12 | 12 | 2031338 | F.Hollow | | DIN 985 - M16 |
| 13 | 12 | 2031897 | stainless | | DIN 125 - A 10 S |
| 14 | 2 | 2032468 | ISO 7880-1 - M10 x 30 | | Hexagon Socket Button Head Screw - Product grade A |
| 15 | 2 | 2031911 | stainless | | DIN 125 - A 6 S |
| 16 | 2 | 2031776 | M6 | | DIN 934 - M6 |
| 17 | 2 | ISO 7880-1 - M6 x 16 | | | Hexagon Socket Button Head Screw - Product grade A |
| 18 | 14 | 2031623 | schraafbr20sd | | pan head powerdrive sec screw M8x20 |
| 19 | 2 | 2032477 | F.Hollow | | AMP top bracket |
| 20 | 1 | 2032473 | F.Hollow | | TS Rotor collar ss |
| 21 | 6 | 2031607 | schraafbr20sd | | stainless hex powerdrive M8x20 zps |
| 22 | 6 | 2031303 | brassbr18 | | hex cap M16 brass cap |
| 23 | 8 | 2031344 | M16 | | DIN 934 - M16 |
| 24 | 8 | 2100147 | brassbr18br | | brass cap M16x120 D7/6 ss |
| 25 | 8 | 2031604 | stainless | | DIN 125 - A17 |
| 26 | 7 | 2031084 | schraafbr10 | | ISO 7880 - M6 x 10 SS |
| 27 | 1 | 2032484 | F.Brimtopcap | | TS Trombone arm stud to |
| 28 | 1 | 2032707 | F.Rotorassemblybrn | | TS Rotor 120 Deg Trombone Arm br |
| 29 | 2 | 2031898 | stainless | | DIN 9021 - 10 S |
| 30 | 1 | 2032699 | F.B700 control unit mounting plate (of bracket) | | TS B700 control unit mounting plate (of bracket) |
| 31 | 4 | 2031927 | schraafbr8 | | DIN 7982 (H) - M8x8-H |
| 32 | 8 | 2031897 | stainless | | Anchor 6x6 S |
| 33 | 2 | 2031922 | SCHRAAFKOPZINBICORST4MM | | stainless ballhead M8x4 DIN 923 |
| 34 | 4 | 2032453 | F.Hollow | | Hex Nut |
| 35 | 4 | 2032453 | F.Hollow | | TS HexN 110x50x2 sz |
| 36 | 4 | 2032494 | F.S.D.washer 50x2.5 ss | | TS D-washer 50x2.5 ss |



| | | | | | | | | | | | | | | | | | | | | | | | | | | | | | | | |
|---|-----------------|---|-------------|---|----------|----------|--|---|-----------------|---|--------|---|----------|----------|-------------|---------------------------------|-------------|--|--|-------------|--|---------------------------------|--|-------------|--|-------------|--|---------------------------------|--|-------------|--|
| 4 | ADD part 38 | | | | YvB | 03-02-21 | | | | | | | | | | | | | | | | | | | | | | | | | |
| <table border="1"> <tr> <td>OWNER: YvB</td> <td>DATE: 13-9-2020</td> <td>ARTICLE CODE</td> <td>REV: 4</td> <td>DATE: 03-02-21</td> <td>DISC: 01</td> </tr> <tr> <td>UNIT: mm</td> <td>SCALE: 1:10</td> <td>PROJECT NAME: TSinglrmBassay120</td> <td colspan="3">PROJECT NO:</td> </tr> <tr> <td colspan="2">SCALE: 1:10</td> <td colspan="2">PROJECT NAME: TSinglrmBassay120</td> <td colspan="2">PROJECT NO:</td> </tr> <tr> <td colspan="2">SCALE: 1:10</td> <td colspan="2">PROJECT NAME: TSinglrmBassay120</td> <td colspan="2">PROJECT NO:</td> </tr> </table> | | | | | | | | OWNER: YvB | DATE: 13-9-2020 | ARTICLE CODE | REV: 4 | DATE: 03-02-21 | DISC: 01 | UNIT: mm | SCALE: 1:10 | PROJECT NAME: TSinglrmBassay120 | PROJECT NO: | | | SCALE: 1:10 | | PROJECT NAME: TSinglrmBassay120 | | PROJECT NO: | | SCALE: 1:10 | | PROJECT NAME: TSinglrmBassay120 | | PROJECT NO: | |
| OWNER: YvB | DATE: 13-9-2020 | ARTICLE CODE | REV: 4 | DATE: 03-02-21 | DISC: 01 | | | | | | | | | | | | | | | | | | | | | | | | | | |
| UNIT: mm | SCALE: 1:10 | PROJECT NAME: TSinglrmBassay120 | PROJECT NO: | | | | | | | | | | | | | | | | | | | | | | | | | | | | |
| SCALE: 1:10 | | PROJECT NAME: TSinglrmBassay120 | | PROJECT NO: | | | | | | | | | | | | | | | | | | | | | | | | | | | |
| SCALE: 1:10 | | PROJECT NAME: TSinglrmBassay120 | | PROJECT NO: | | | | | | | | | | | | | | | | | | | | | | | | | | | |
| <table border="1"> <tr> <td colspan="2"> P.O. Box 20, 5880 ZD Oirschot, The Netherlands T +31 (0)485 657700 F +31 (0)485 657700 www.heag.com </td> <td colspan="2"> DRAWING NO: p08227 REV: 4 SHEET: 11 </td> <td colspan="2"> DESCRIPTION: TS B700 Trombone arm 120deg PRODUCT CODE: </td> </tr> </table> | | | | | | | | P.O. Box 20, 5880 ZD Oirschot, The Netherlands T +31 (0)485 657700 F +31 (0)485 657700 www.heag.com | | DRAWING NO: p08227 REV: 4 SHEET: 11 | | DESCRIPTION: TS B700 Trombone arm 120deg PRODUCT CODE: | | | | | | | | | | | | | | | | | | | |
| P.O. Box 20, 5880 ZD Oirschot, The Netherlands T +31 (0)485 657700 F +31 (0)485 657700 www.heag.com | | DRAWING NO: p08227 REV: 4 SHEET: 11 | | DESCRIPTION: TS B700 Trombone arm 120deg PRODUCT CODE: | | | | | | | | | | | | | | | | | | | | | | | | | | | |